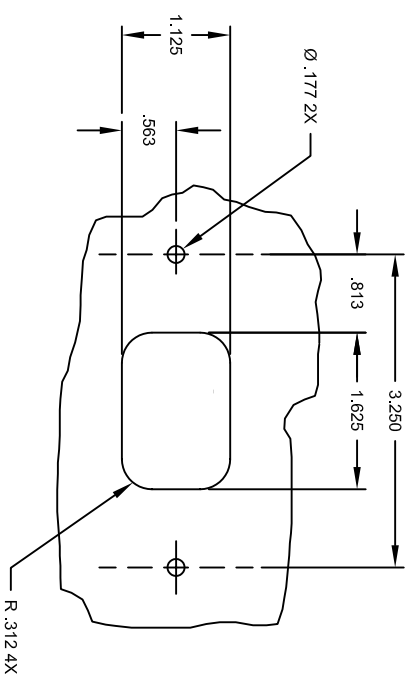
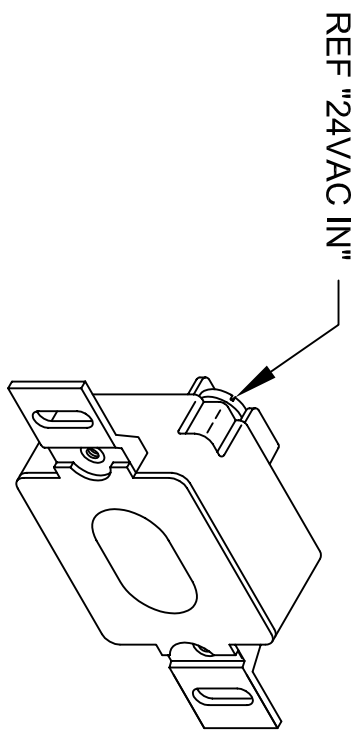
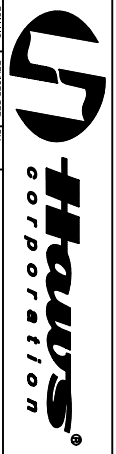


* MUST BE USED IN CONJUNCTION WITH 24VAC TRANSFORMER AND SOLENOID



PANEL CUT-OUT



1455 KLEPPE LANE
 SPARKS, NEVADA 89431
 (775) 359-4712 FAX (775) 359-7424
 E-MAIL: HAWS@HAWSCC.COM
 WEBSITE: WWW.HAWSCC.COM

FIGURE 1	TRANSFORMER	NO.	MODEL(S):	0002080407.D
DATE:	ECN: 1628	REV:	SENSOR, 24VAC H.O.	REV:
05/10/94	05/10/94		INFO FAX DOC #:	11393C00
APPROVER:	DATE:	SCALE:	INSTALLATION/REWORK	SIZE: A SHEET: 1 OF 1